

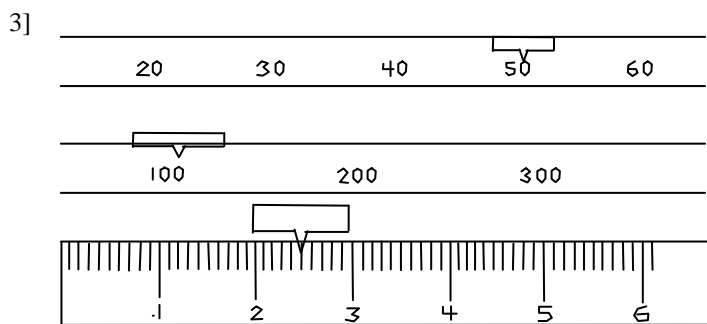
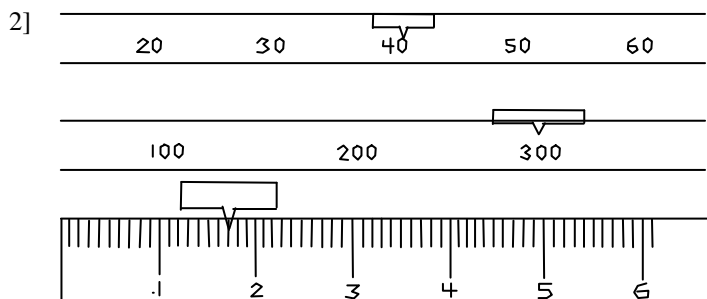
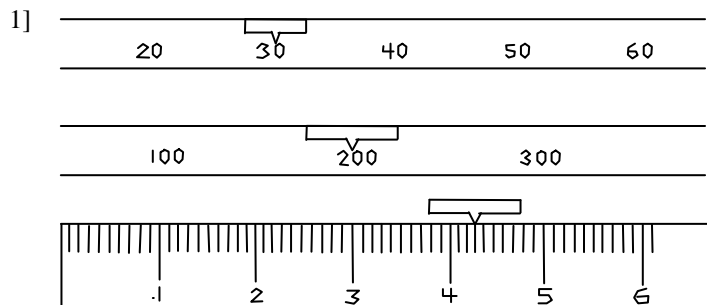
BALANCE PRACTICE

Name _____

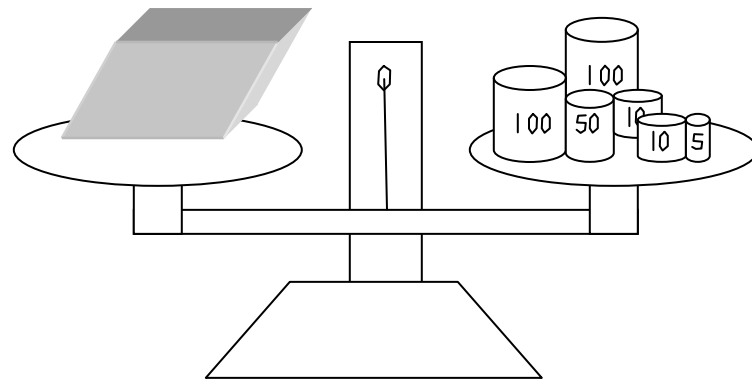
Write the correct value next to each balance. Don't forget to label.

One balance isn't correct—write its current value, but then circle it and describe what is wrong.

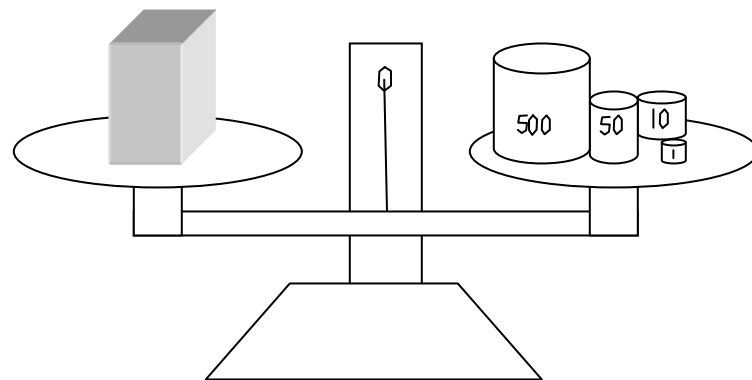
14



4)



5)



6)

